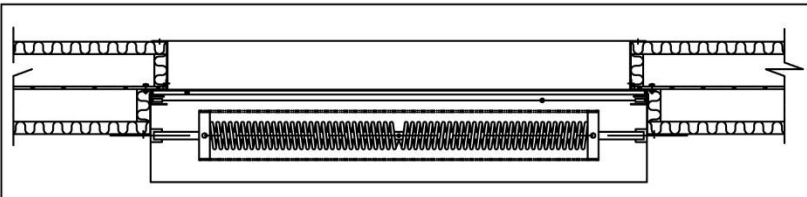


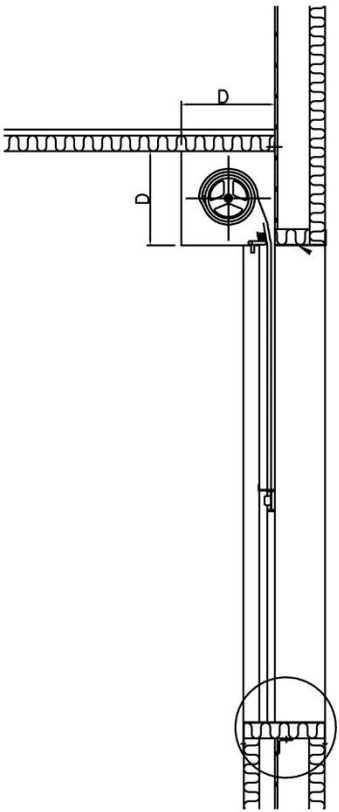
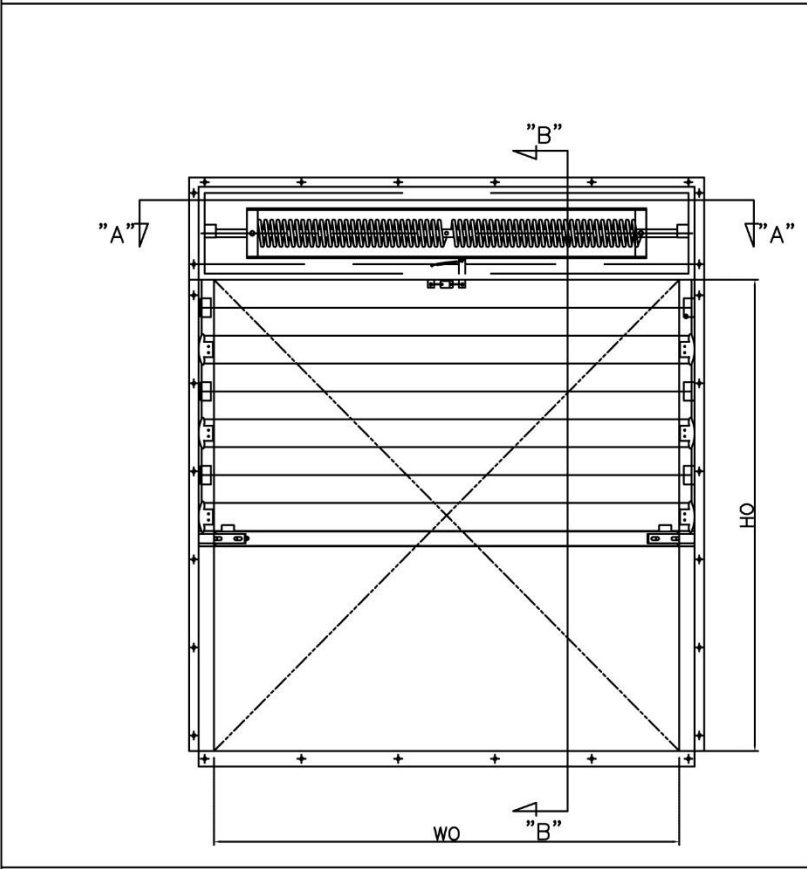
Technical Specification for A0 Fire Roller Shutter



| WO | HO | D | A | B | STEEL WALL (C) | Q'TY | WEIGHT |
|------|------|-----|----|-----|----------------|------------|--------|
| 1400 | 1000 | 300 | 50 | 100 | 4T | 1SETS/SHIP | 75 Kg |

Section "A"- "A"

Dimension Table



Fire Shutter

Section "B"- "B"