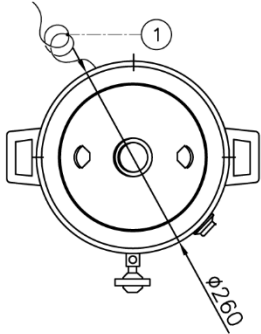
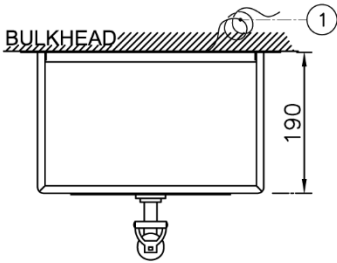
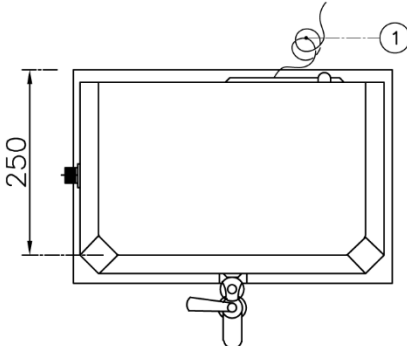
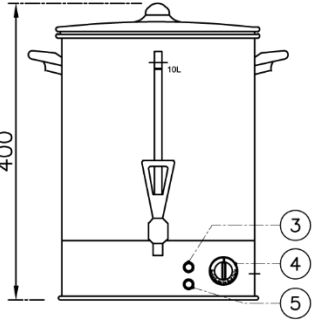
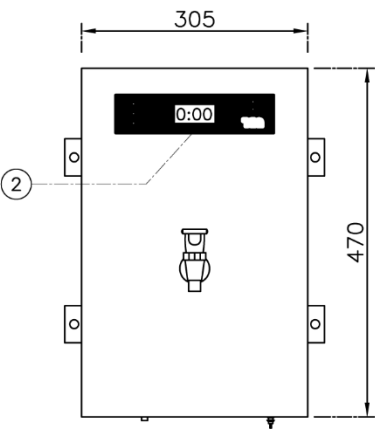
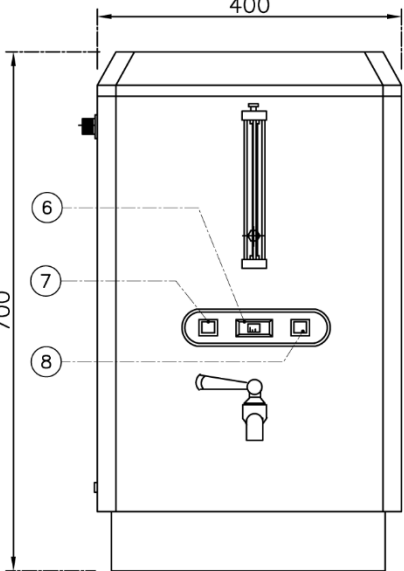


Technical Specification for Electric Water Boiler

| | | |
|--|--|---|
|  |  |  |
| <p>Plan View – Manual Filling</p> | <p>Plan View – Automatic Filling (wall mounted)</p> | <p>Plan View – Automatic Filling</p> |
|  |  |  |
| <p>Front View – Manual Filling</p> | <p>Front View – Automatic Filling (wall mounted)</p> | <p>Front View – Automatic Filling</p> |

- 1. Electrical cable connection
- 2. Digital temperature display
- 3. Pilot light (power)
- 4. Thermostat 30°C to 110°C
- 5. Pilot light (heat)
- 6. Thermometer
- 7. Indicating light (heat)
- 8. Indicating light (power)

Marine voltage available
 Drain tray with bracket available