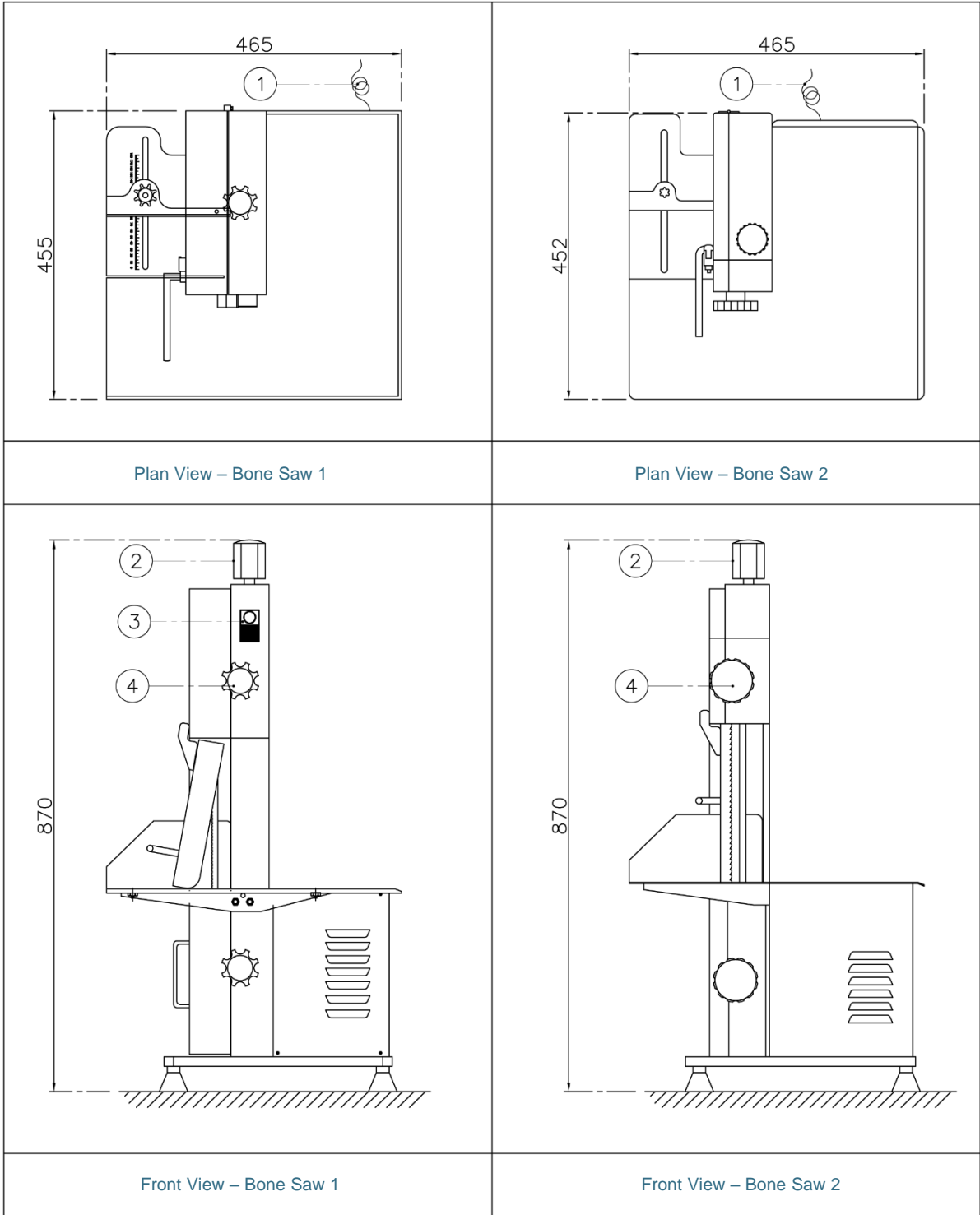


Technical Specification for Bone Saw



- 1. Electrical cable connection
- 2. Tension knob
- 3. On/Off switch
- 4. Handlewheel

Marine voltage available  
Flange feet available