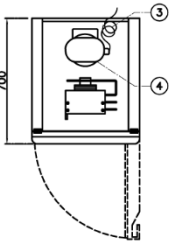
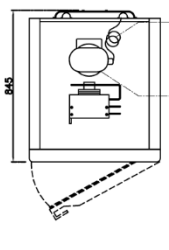
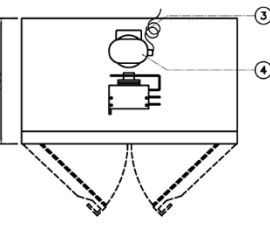
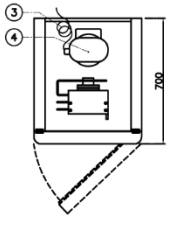
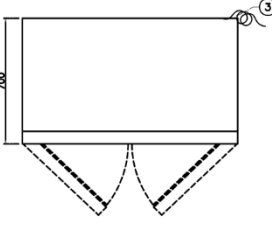
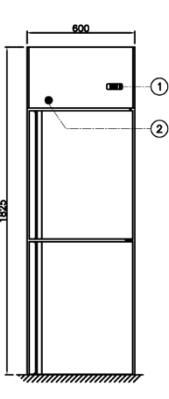
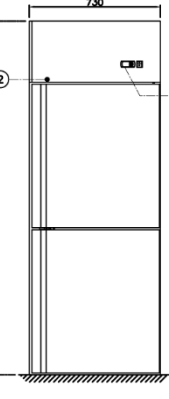
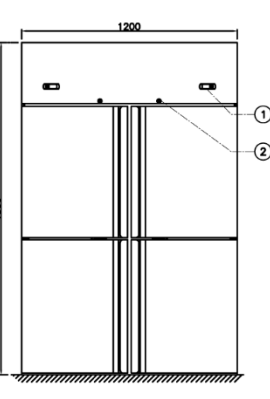
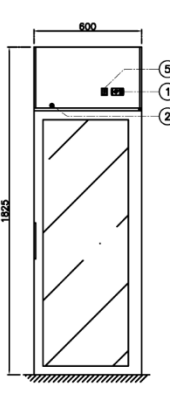
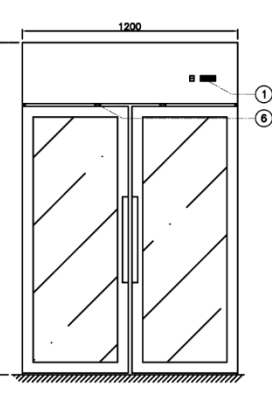


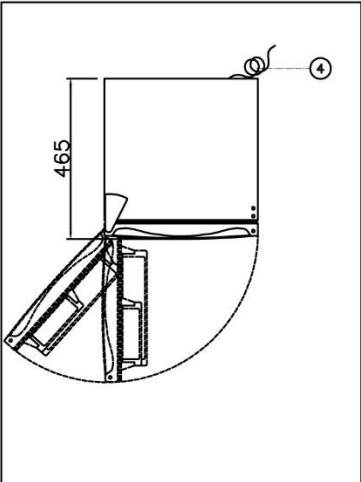
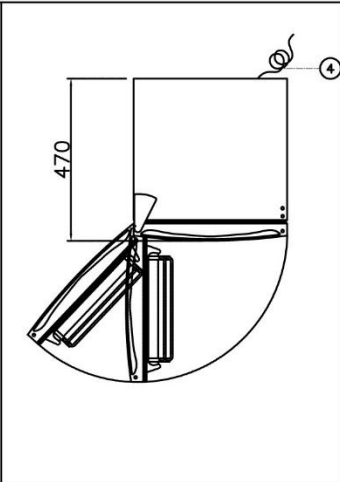
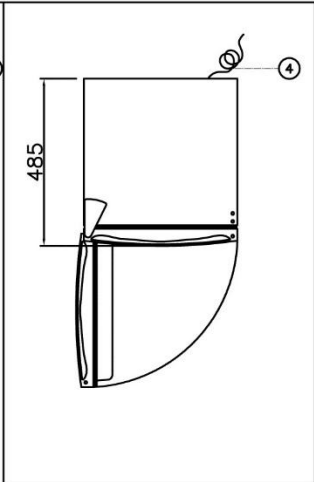
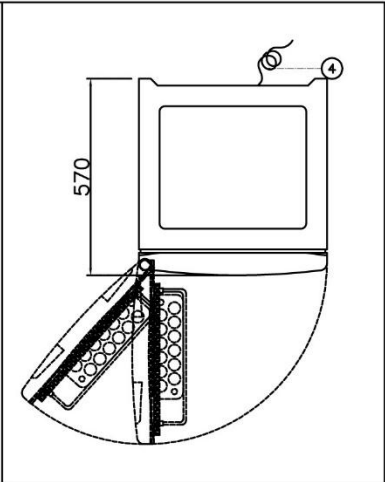
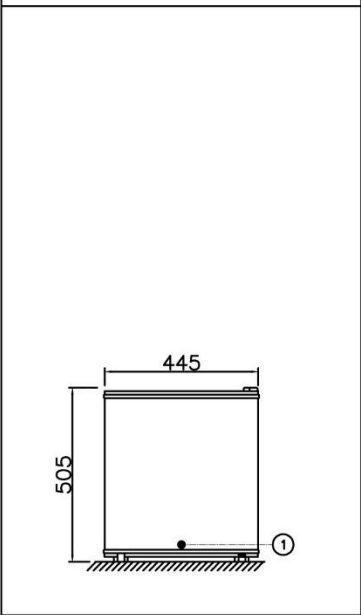
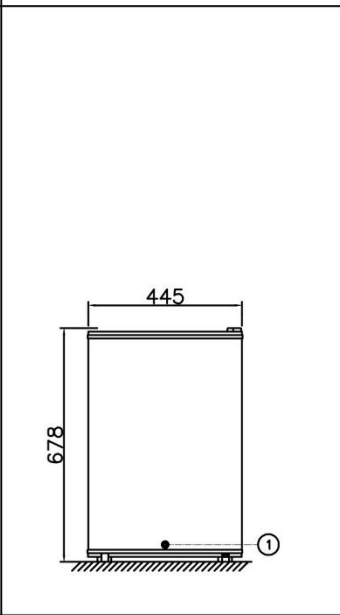
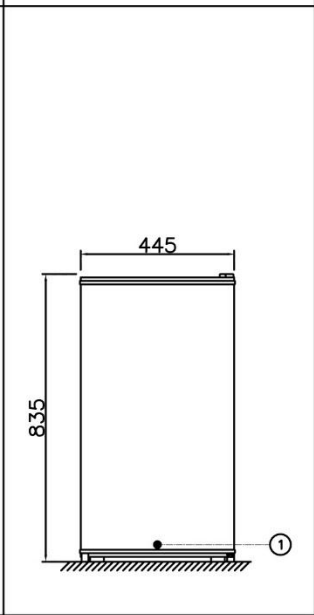
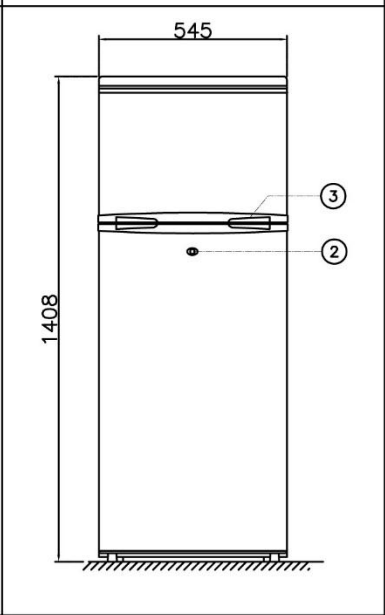
Technical Specification for Electric Stainless Steel Refrigerator

				
<p>Plan View – Chiller or Freezer or Chiller cum freezer (2 half door type)</p>	<p>Plan View – Chiller or Freezer or Chiller cum freezer (2 half door type)</p>	<p>Plan View – Chiller or Freezer or Chiller cum freezer (4 half door type)</p>	<p>Plan View – Chiller (glass door type)</p>	<p>Plan View – Chiller (2 full glass door type)</p>
				
<p>Front View – Chiller or Freezer or Chiller cum freezer (2 half door type)</p>	<p>Front View – Chiller or Freezer or Chiller cum freezer (2 half door type)</p>	<p>Front View – Chiller or Freezer or Chiller cum freezer (4 half door type)</p>	<p>Front View – Chiller (glass door type)</p>	<p>Front View – Chiller (2 full glass door type)</p>

1. Digital control display
2. Door lock
3. Electrical cable connection
4. Compressor
5. On/Off switch
6. Door light switch

Marine voltage available
 Flange feet available
 Wall mounting bracket available

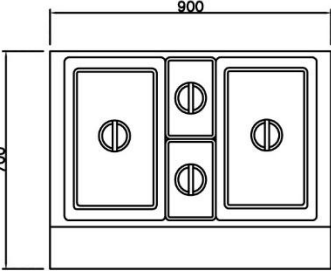
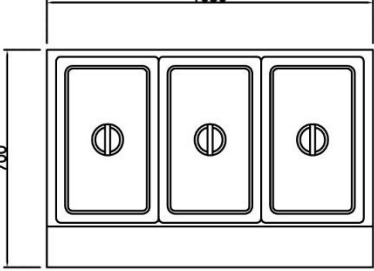
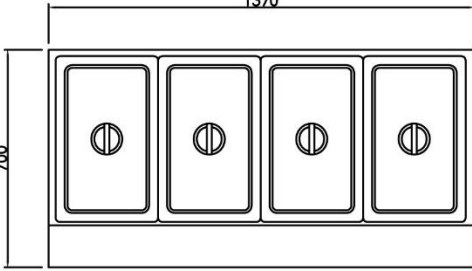
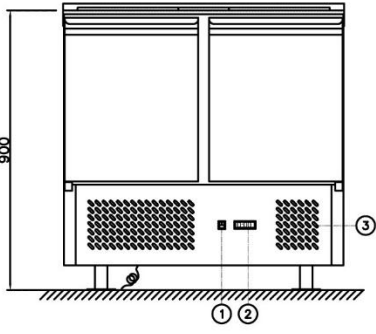
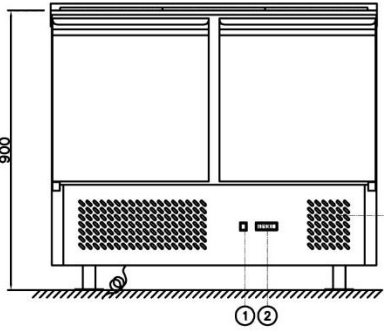
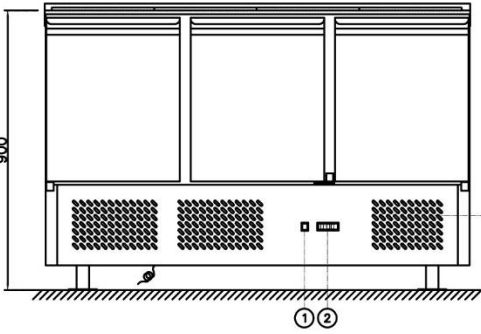
Technical Specification for Refrigerator

			
<p>Plan View – Refrigerator</p>	<p>Plan View – Refrigerator</p>	<p>Plan View – Refrigerator</p>	<p>Plan View – Refrigerator</p>
			
<p>Front View – Refrigerator</p>	<p>Front View – Refrigerator</p>	<p>Front View – Refrigerator</p>	<p>Front View – Refrigerator</p>

- 1. Door lock w/keys
- 2. Key locks for upper & lower keys
- 3. Door handle
- 4. Electrical cable connection

Marine voltage available
 Flange feet available

Technical Specification for Electric Refrigerated Counter

		
<p>Plan View – 2-1/4 Size GN Pan</p>	<p>Plan View – 3 Full Size GN Pan</p>	<p>Plan View – 4 Full Size GN Pan</p>
		
<p>Front View – 2-1/4 Size GN Pan</p>	<p>Front View – 3 Full Size GN Pan</p>	<p>Front View – 4 Full Size GN Pan</p>

- 1.ON / OFF switch
- 2.Temperature display
- 3.Louver

Marine voltage available
 Flange feet available
 Available sneeze guard, lamp, hand rail & tray slide.