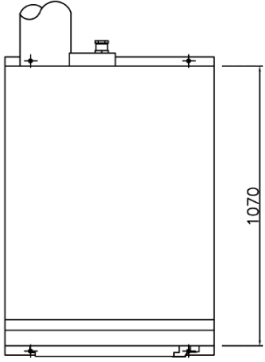
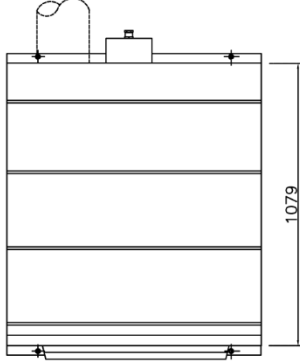
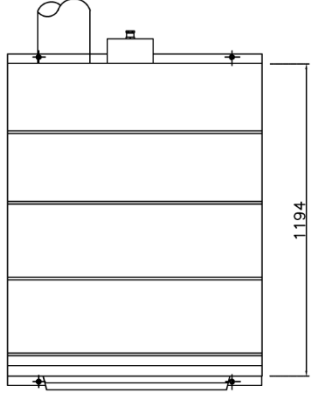
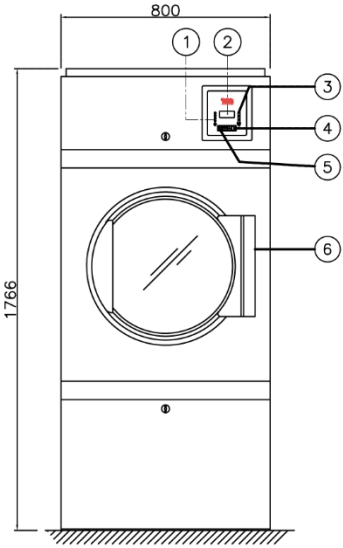
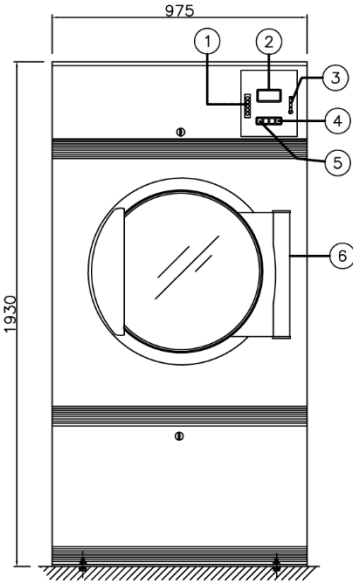
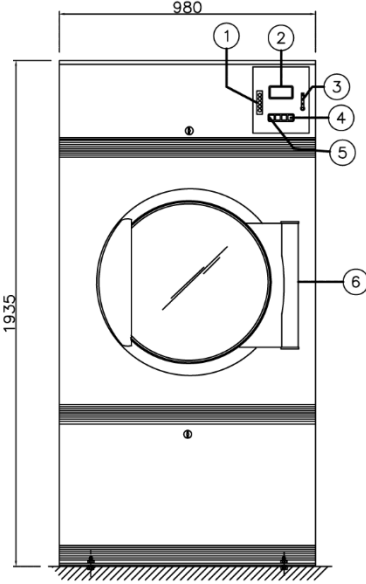


## Technical Specification for Tumble Dryer (Heavy Duty)

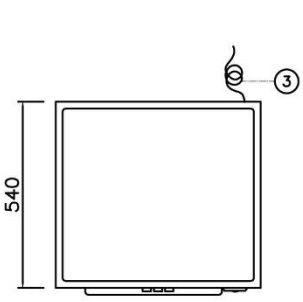
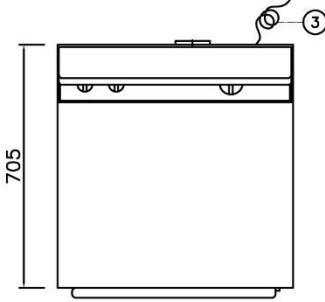
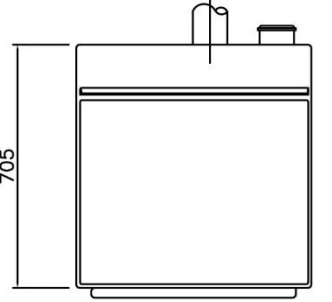
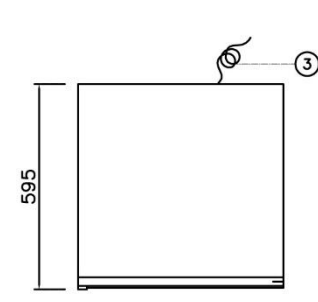
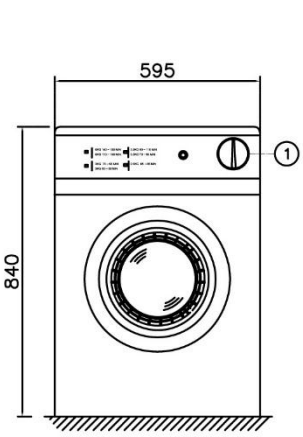
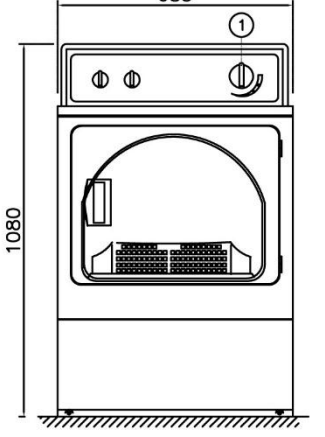
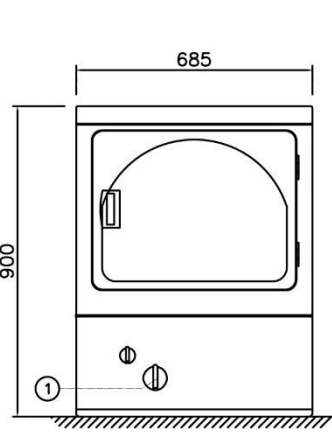
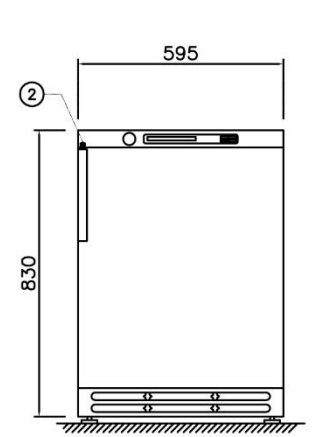
		
<p>Plan View – Tumble Dryer (800x1070x1766)mm</p>	<p>Plan View – Tumble Dryer (975x1079x1930)</p>	<p>Plan View – Tumble Dryer (980x1194x1935)</p>
		
<p>Front View – Tumble Dryer (800x1070x1766)mm</p>	<p>Front View – Tumble Dryer (975x1079x1930)</p>	<p>Front View – Tumble Dryer (980x1194x1935)</p>

1. Status Indicators
2. Display
3. Temperature Indicator
4. Start Button
5. Stop Button
6. Hinge & Hinge Shaft

Marine voltage available  
Marine foundation available

Subject to change without prior notice.

### Technical Specification for Tumble Dryer

 <p>540</p> <p>3</p>	 <p>705</p> <p>3</p>	 <p>705</p>	 <p>595</p> <p>3</p>
<p>Plan View – Tumble Dryer(6kg)</p>	<p>Plan View – Tumble Dryer(9kg/load)</p>	<p>Plan View – Tumble Dryer(9kg)</p>	<p>Plan View – Tumble Dryer(7kg)</p>
 <p>595</p> <p>840</p> <p>1</p>	 <p>683</p> <p>1080</p> <p>1</p>	 <p>685</p> <p>900</p> <p>1</p>	 <p>595</p> <p>830</p> <p>2</p>
<p>Front View – Tumble Dryer(6kg)</p>	<p>Front View – Tumble Dryer(9kg/load)</p>	<p>Front View – Tumble Dryer(9kg)</p>	<p>Front View – Tumble Dryer(7kg)</p>

- 1.Control panel
- 2.Power switch
- 3.Electric cable connection

Marine voltage available  
Flange feet available