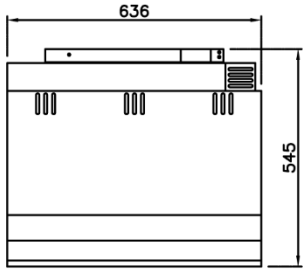
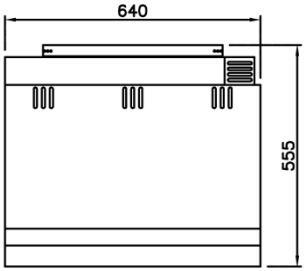

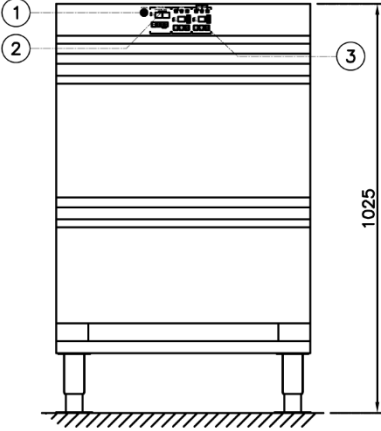
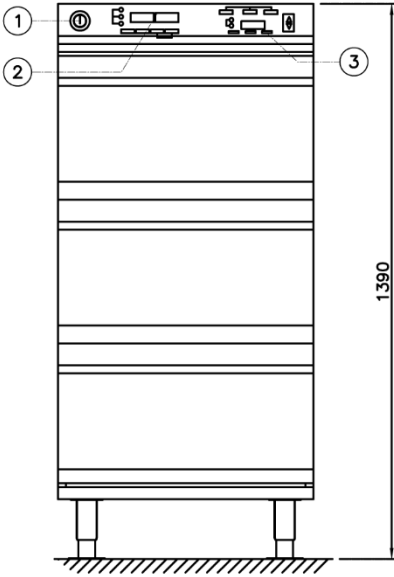


Technical Specification for Electric Rice Cooker

		 <p>Capacity: 3.6 litres, 4.2 litres, 6 litres, 6.5 litres & 10 litres available</p> <p>Rubber sucker available</p>
<p>Plan View – 2 Deck</p>	<p>Plan View – 3 Deck</p>	
		<ol style="list-style-type: none"> 1. Power button 2. Timer display 3. Start/stop button
<p>Front View – 2 Deck</p>	<p>Front View – 3 Deck</p>	

Marine voltage available
Adjustable flange feet or non-adjustable flange feet available