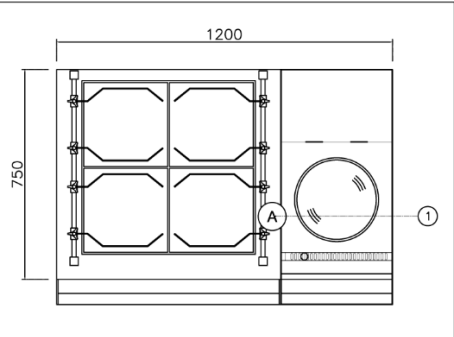
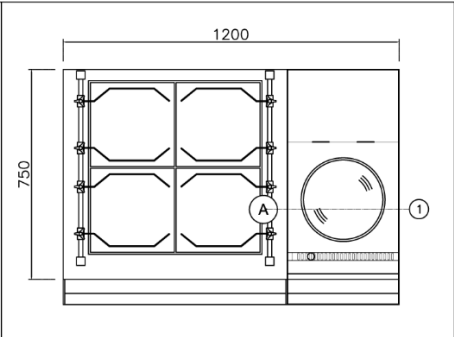
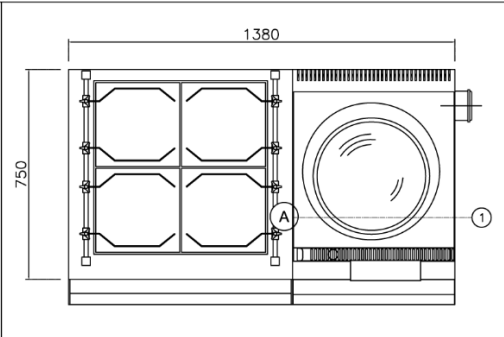
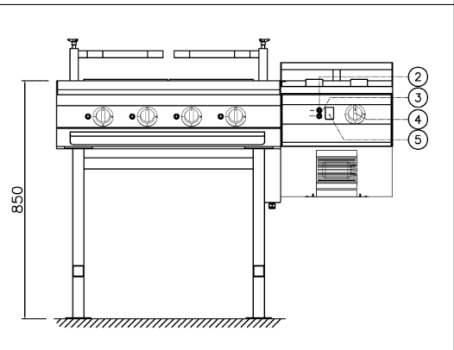
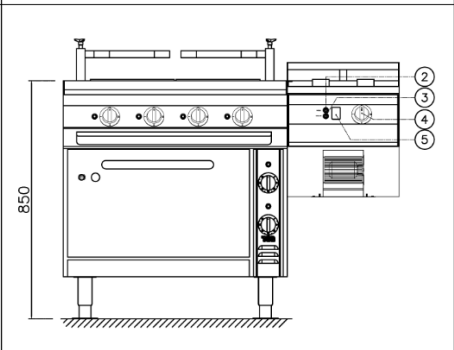
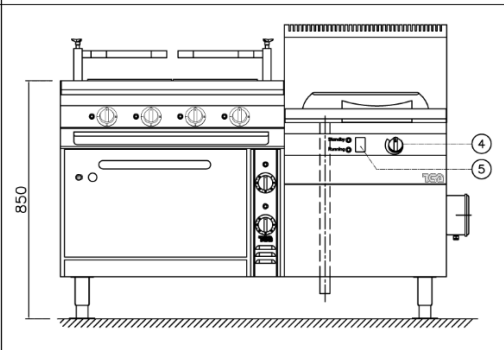


Technical Specification for Marine Electric Cooking Range & Induction Wok

		
<p>Plan View – 4 Square Hotplate + Induction Wok1/2</p>	<p>Plan View – 4 Square Hotplate with Oven + Induction Wok1/2</p>	<p>Plan View – 4 Square Hotplate with Oven + Full Size Induction Wok</p>
		
<p>Front View – 4 Square Hotplate + Induction Wok1/2</p>	<p>Front View – 4 Square Hotplate with Oven + Induction Wok1/2</p>	<p>Front View – 4 Square Hotplate with Oven + Full Size Induction Wok</p>

- 1. Electrical cable connection
- 2. Power indicating light
- 3. Working indicating light
- 4. Rotary switch
- 5. Display led

Marine voltage available
 Adjustable flange feet or non-adjustable flange feet available
 Available standalone induction wok unit, hot plate cooking top with (or) without oven, ingredient holder & handgrip rail