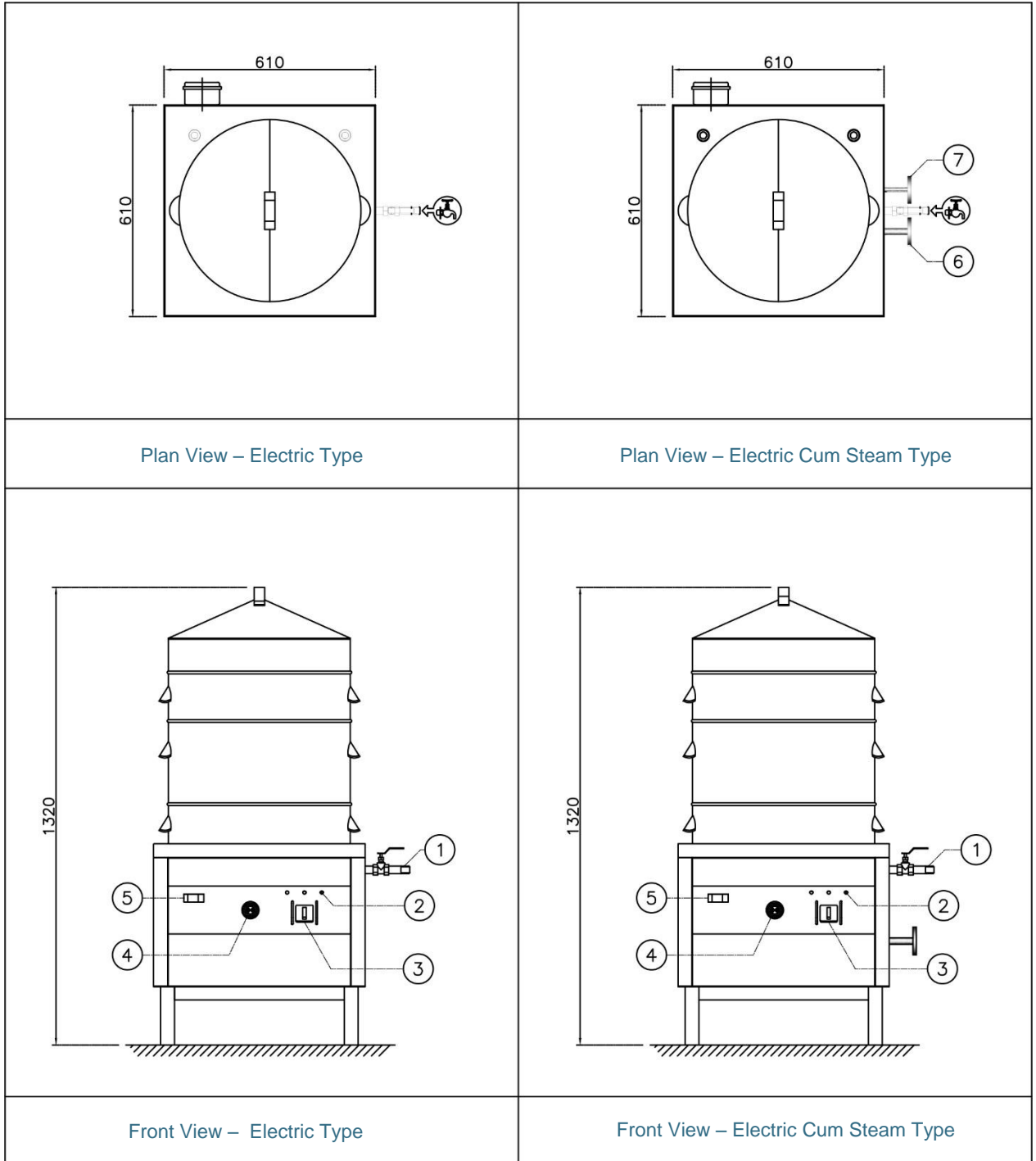


Technical Specification for Chinese Style Bread Steamer



1. Water inlet
2. Low water level indicator light
3. Power on/off switch
4. Low water level buzzer
5. Thermometer
6. Steam inlet
7. Steam Outlet

Marine voltage available

Flange feet available

Available steamer cover, steamer basket, steamer basket

Subject to change without prior notice.