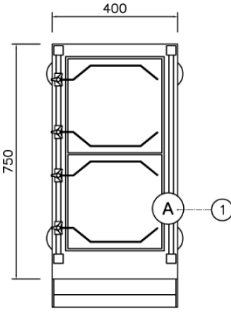
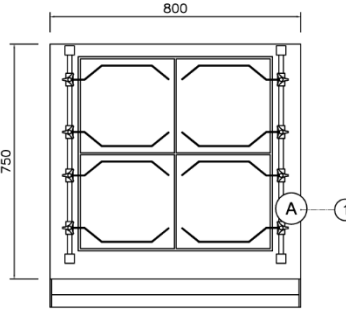
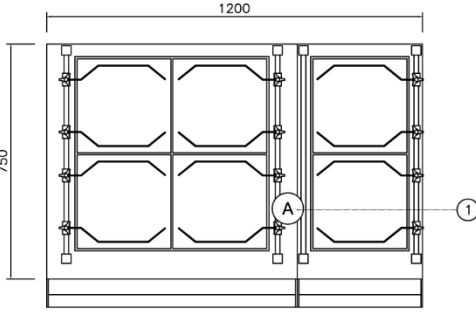
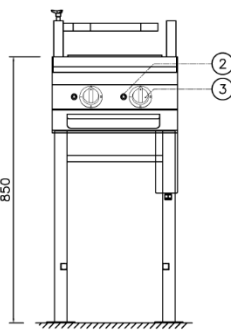
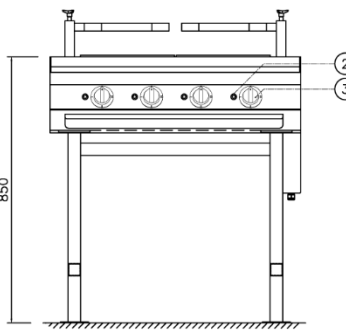
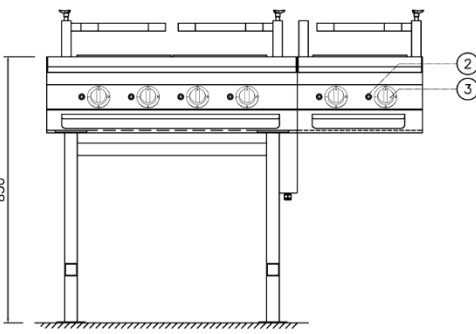
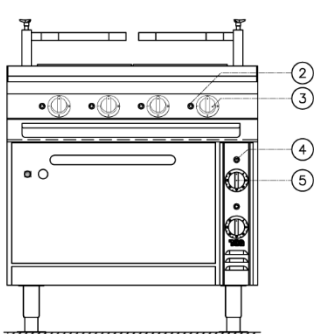
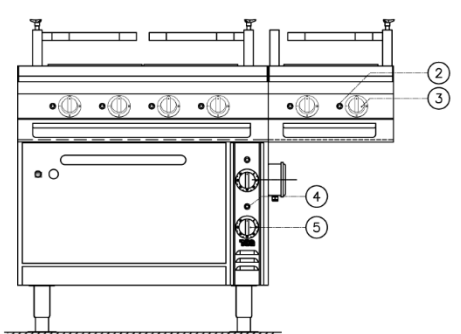


Technical Specification for Marine Electric Cooking Range

		
<p>Plan View – 2 Square Hotplate</p>	<p>Plan View – 4 Square Hotplate</p>	<p>Plan View – 2 Square Hotplate + 4 Square Hotplate</p>
		
<p>Front View – 2 Square Hotplate Open Base</p>	<p>Front View – 4 Square Hotplate Open Base</p>	<p>Front View – 2 Square Hotplate + 4 Square Hotplate Open Base</p>
<p>1.Electrical cable connection 2.Hot plate indicator light 3.Hot plate rotary switch w/knob 4.Oven indicator light 5.Oven thermostat control w/knob</p>		
	<p>Front View – 4 Square Hotplate + Baking Oven</p>	<p>Front View – 2 Square Hotplate + 4 Square Hotplate + Baking Oven</p>

Marine voltage available

Adjustable flange feet or non-adjustable flange feet available

Available square & rectangular hot plate top range with open base, open shelving, open cabinet, cabinet with door & baking oven

Subject to change without prior notice.